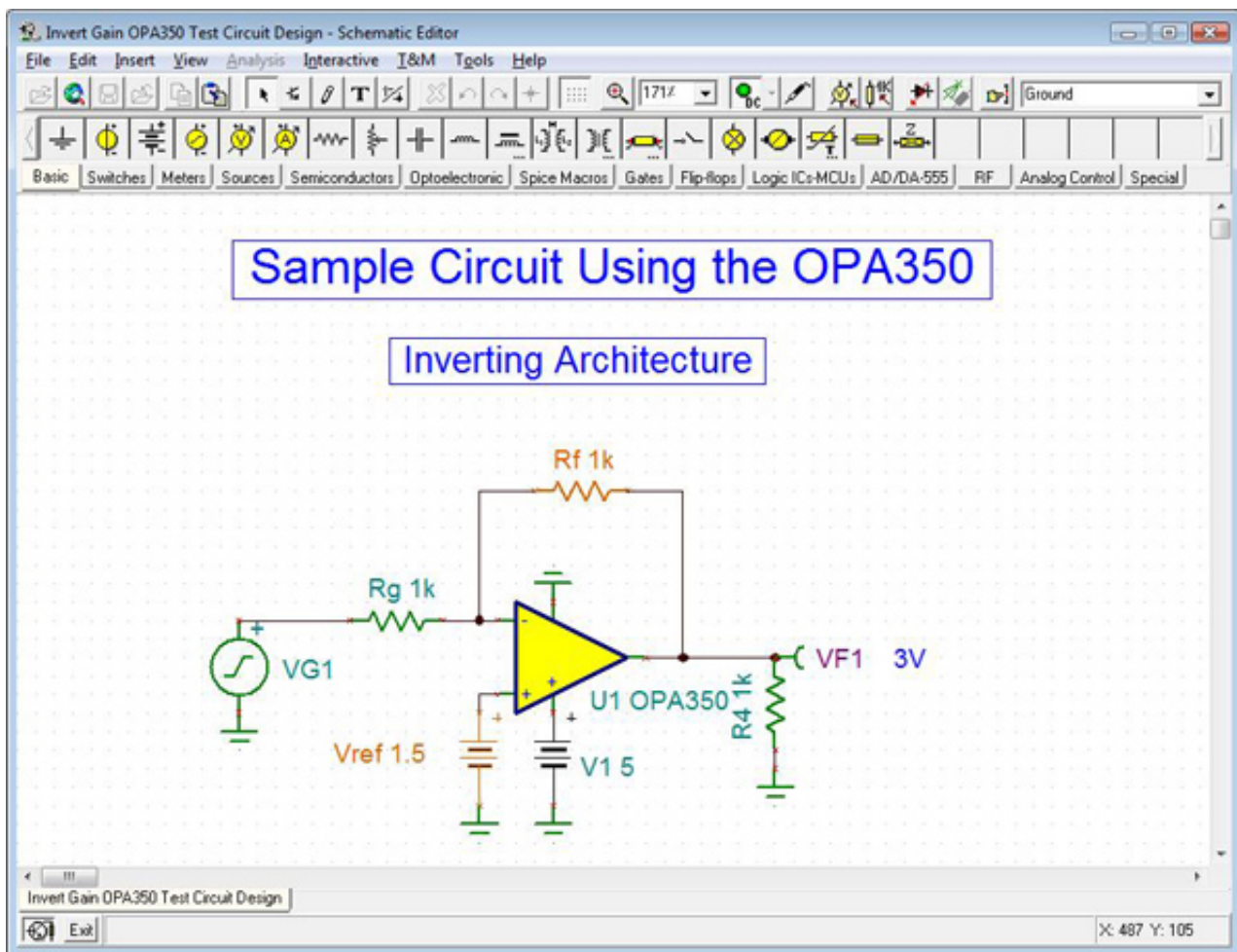


# Download



[Download Hspice Software For Windows 7](#)



[Download Hspice Software For Windows 7](#)

---

**Download**



---

LTspice IV XVII Build Nov 7 2019 is available to all software users as a free download for Windows 10 PCs but also without a hitch on Windows 7 and Windows .... Running the Installation Program on Windows Platforms . . . . . 9-5. Invoking Encore on ... Configuring HSPICE and AvanWaves for UNIX and Linux . . . . . 14-5.. Fill Download Hspice 2008 Version, download blank or editable online. ... and printable from PC, iPad, tablet or mobile with PDFfiller ✓ Instantly ✓ No software.

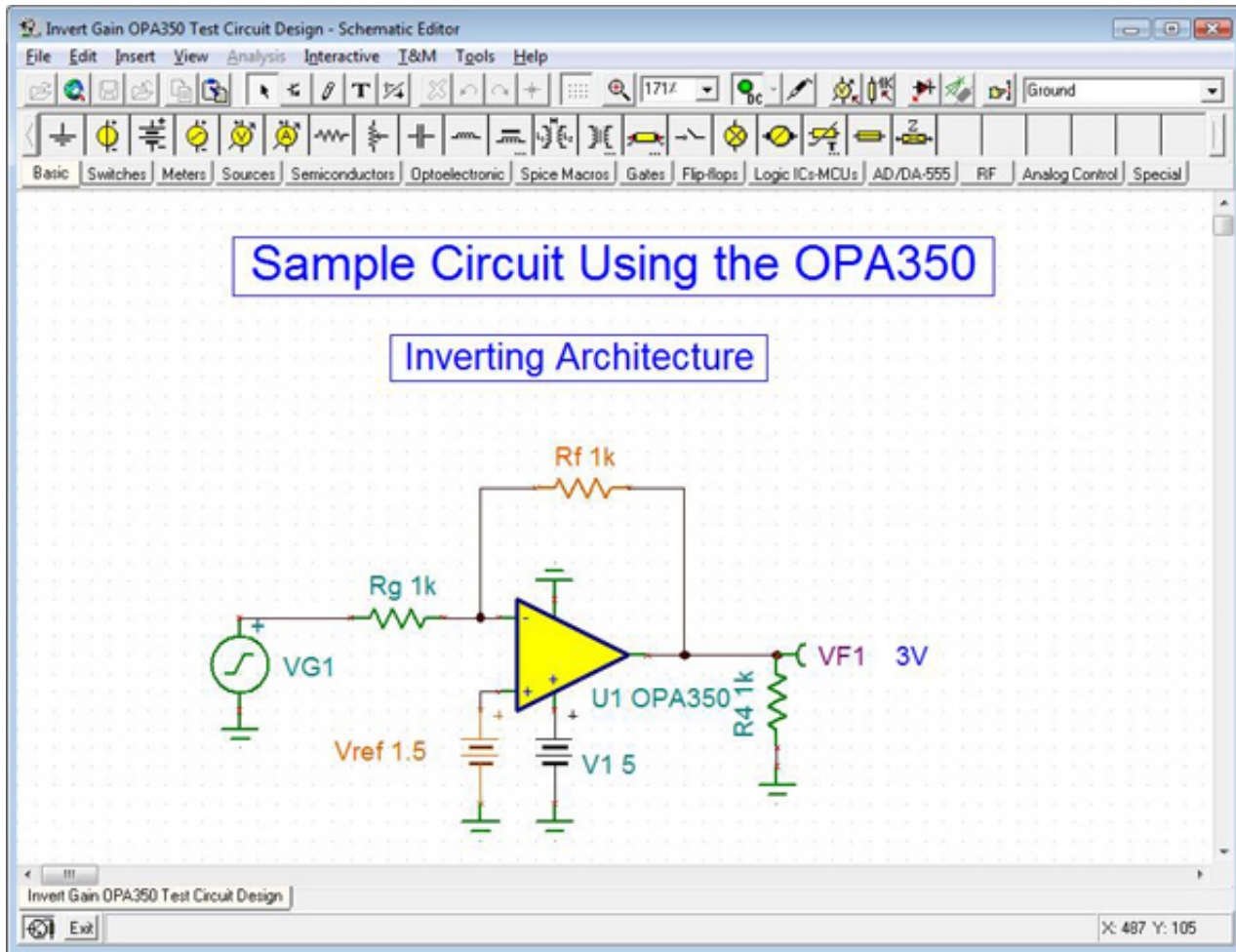
1. [hspice software free download windows 10](#)

Synopsys HSPICE® circuit simulator is the industry's "gold standard" for accurate circuit simulation and offers foundry-certified MOS device models with state-of-the .... Synopsys HSPICE 2016 Free Download Latest Version for Windows. It is full ... This application is for the circuit analysis based electronics like ... Operating System: Windows 7/8/8.1/10; Memory (RAM): 2 GB of RAM required.

## **hspice software free download windows 10**

hspice software free download windows 10 [Rang De Basanti full movie hd 720p free download in utorrent](#)

صفحه اصلی hspice download software .Linux/Win SP1-2016.06-L HSPICE Synopsys. در تاریخ: ۱۲ اسفند ۱۳۹۵ - ۱۳:۴۶ در: مهندسی و تخصصی 45 نظرات Views: simulation system fast for package software CppSim popular the of (version Windows) download Free ... based on the C++ ... Windows 10/8/7/Vista/Xp (247MB).. Sintecs provides a powerful Free IBIS Viewer and Editor for Windows. ... provided by IO Methodology Inc. Available on Windows 7/XP and Linux Redhat 4/5. ... Cadence Design Systems and Signal Integrity Software have provided free tools for ... conversion utility that can generate IBIS v3.2 models from HSPICE, PSPICE, ... [Eassos PartitionGuru 4.9.3.409 Pro Edition \(x86 x64\) Crack crack](#)



Aleo

[Swf To Gif Converter Full 12](#)

[freehindicomicssavitabhabhiepisode32pdf18](#)

TI's TINA-TI software download help users get up and running faster, reducing time to market. Software description ... Free Download, ACTIVE, v9.3.200.277 SF-TI, 04 Oct 2018, Windows XP, 7, 8 ... Need HSpice models to aid in your design? [xbox 360 emulator bios v3.2.4.rar mediafire](#)

[Apne movie free download in hindi mp4](#)

Windows Internet Explorer® are U.S. registered trademarks of Microsoft Corporation. Pentium® is a ... as published by the Free Software Foundation; either version 2.1 of the License, or (at ... Source terms, which are available for download at <http://systemc.org/> ... 7. Understanding HSPICE Netlist Design Generation Wizard.. Hspice Software Windows. 1/18/ ... Here is the link where you can download CygwinX and PuTTY and find the ... Download Hspice Software For Windows 7.. The Star-Hspice optimizing analog circuit simulator is a industrial-grade circuit ... for Windows, visit <http://distrib.njit.edu/download.htm> and download the XWIN.. Synopsys HSPICE software is a precise and reliable simulator for simulating and analyzing various parts of the circuit, managing its power .... Please note, Windows 10 is not supported, don't know why, the program 'hspice.exe stopped working'. 1. Installation. You will need to download ' .... Download ngspice for free. Ngspice project aims to improve the spice3f5 circuit simulator.. Hspice Install - Free download as PDF File (.pdf), Text File (.txt) or read online for free. in. ... Installing the Software on Windows Platforms.. It is a simulator with high a ccuracy as well as good measurement capabilities. HSPICE has its own GUI (graphic user int erface) for waveform viewing, but it ... PSPICE is a very nice PC based SPICE version developed by Orcad, which is now part of Cadence. ... The student version is available to download here:student 9.1.

---

96bbae0f0 [Manual Instrucciones Mando Universal Digivolt](#)

96bbae0f0

[7 data recovery serial key](#)