



Download from
Dreamstime.com

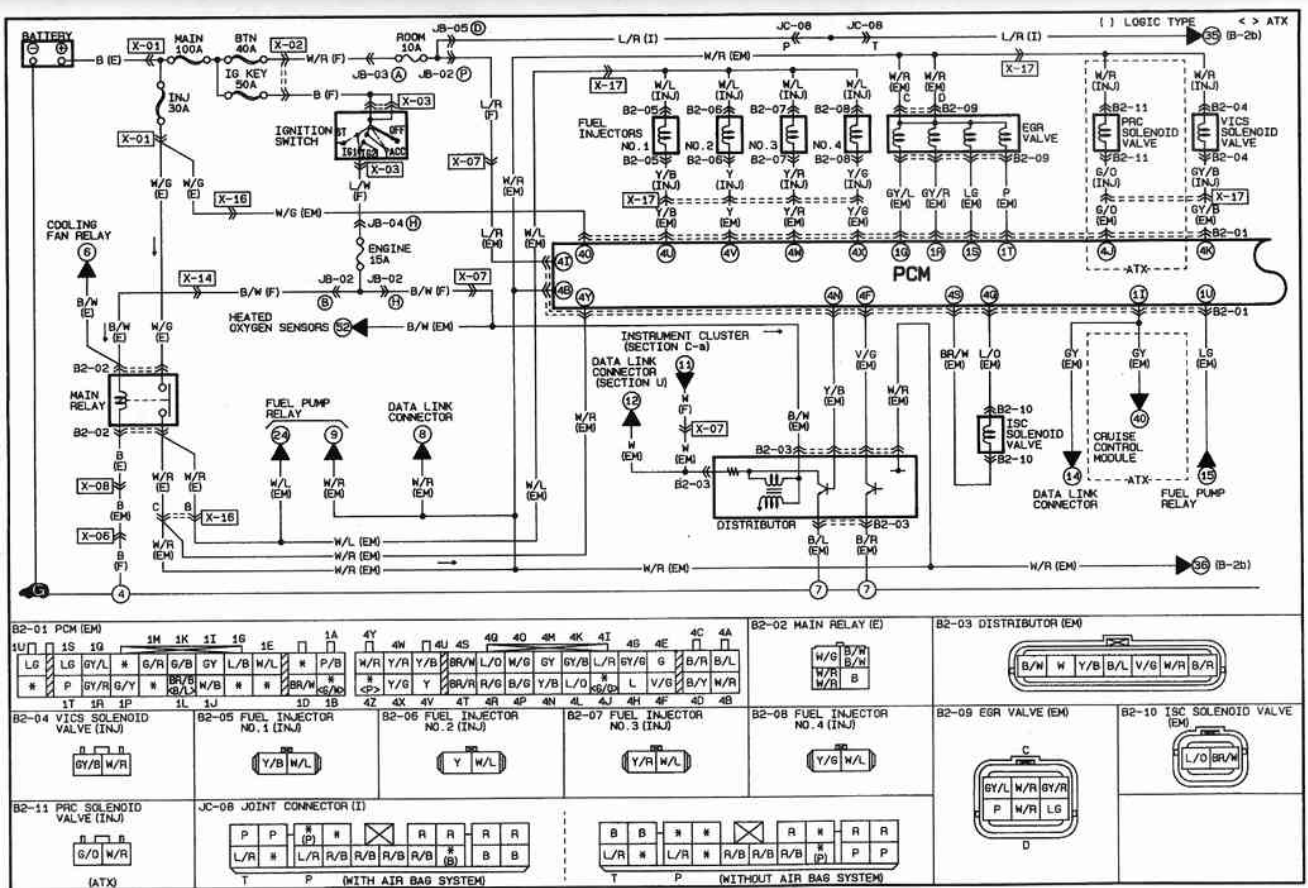
This watermarked comp image is for previewing purposes only.



ID 2468711

© Milan Surkala | Dreamstime.com

[Belt Replacement Generator Mazda 323f](#)



Typical wiring diagram for engine electrical and fuel systems

[Belt Replacement Generator Mazda 323f](#)



Download from
Dreamstime.com

This watermarked comp image is for previewing purposes only.



ID 2468711

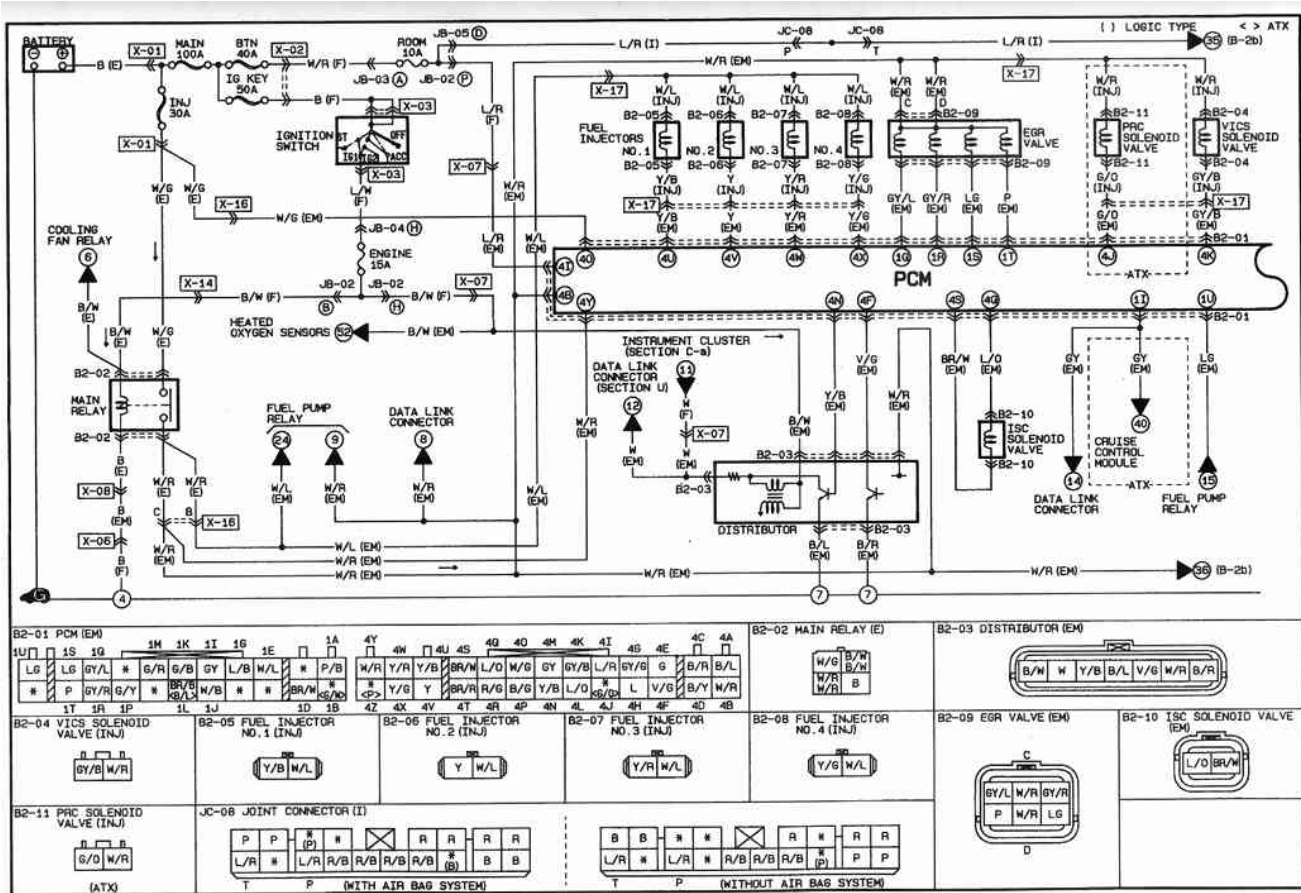
© Milan Surkala | Dreamstime.com

Alternator and power steering Contents • • • The condition of the Mazda 6 generator belt is determined by an external inspection.

Hello to all admirers of my work! I bring to your attention a new novel in 2 parts, 'replacement of the GUR belt and air conditioner' and 'replacement of the generator and pump belt'.. Also check the position of the automatic tensioner marks With a large run, the belt is stretched, and the tensioner is not able to provide the correct tension.. The experimental engine is ZL-DE manufactured by Mazda:) PREFACE So, for our operation we will need: 1) Gur and air conditioner belt - bought SUN code 4PK1000, 1000 mm this length of its circumference, well, if it is cut in half and measured:) in the whole state I measured almost 50 cm, or rather 49.. • Turn the crankshaft three full revolutions so that the drive belt is correctly positioned on the pulleys.. Conclusion Despite the automatic tension of the alternator drive belt and other Mazda 6 units, it is necessary to periodically visualize its condition.

[Anyconnect For Mac Free Download](#)

If cracks are found, detaching sections of streams more than 1 cm, then the belt is to be replaced.. 3) Keys on 10,12 and 14, heads on 12 and 14 It should be noted that you can not change the generator / pump belt without removing the GUR belt / air conditioner.. Mazda 323 Drive Belt Mazda 323 Replacement REPM316201 Drive Belt - Serpentine belt, Direct Fit.. Replacement of a generator belt Mazda 6 For fans of Mazda 6 repair, we recommend the following sequence of work on replacing the generator belt: • Remove the right front wheel and the right mudguard.. 5 You can not bend it:) Consider this when buying in stores 2) Belt generator and pump - also bought SUN code 4PK890, respectively, the length in a cut state 89 cm:) I stood before this strap 88 cm, as it was there zasunl locksmith when replacing the timing I did not really understand, tk. [Total War For Mac Os X](#)



Typical wiring diagram for engine electrical and fuel systems

Diablo 3 Pc Iso Emulator

Download youtube converter mp4 to mp3

• Turn the tensioner roller clockwise to loosen the drive belt In this situation, the usual set of tools does not pass in height.. It is necessary to cut the head so that the height with the collar is 56 mm, or to drill in the head hole for the wrench.. • Now you can remove the generator belt, replace it and install all the parts in the reverse order.. 1999-2003 Mazda Protege Alternator and Belt Mazda Alternator belt replacement Timing belt replacement 1998 - 2003 Mazda Protege DOHC 1.. Also, the drive belt should be replaced if the automatic tensioner does not provide the necessary belt tension, and the belt slips. [Mi Pasaporte Ultra 2tb Reformat Para Mac](#)

Microsoft Office 2008 Mac

I had to cut it off stupidly, the new one was longer by 1 cm, which was not enough, everything was easy.. I could not remove it, even completely weakening the generator, it rested against the bracket of the right engine airbag.. If the indicator's arrow points to the lower division, then the tension is the limit, and the belt must be replaced.. Therefore we begin with an external belt Armed with a head for 14, our primary goal is to unscrew the bolt, which simultaneously serves as the axis of the GUR. ae05505a44 [Resident Evil 6 Repack V2 Crack Cocaine](#)

ae05505a44

[Sonic 2006 Xbox 360 Iso](#)